



Roots Lighting

Indoor/outdoor

Specialized In Decorative Poles

www.rootslighting.com

PreQualification

PO Box 4542-Jeddah 22234-KSA

Saudi Arabia-Jeddah-Al Azariye Building-opposite to Serafi mega mall-Tel/Fax 0122906274-F4-407



Roots Lighting

Introduction

- **Roots Lighting** is a leading company considered as one of the national companies specialized in the manufacture of lighting poles and accessories. **Roots** was Established in 2009 and it's based in Jeddah - KSA.

Roots Lighting has successfully completed numerous large-scale turnkey projects for many prestigious clients in different sectors including:

1. Lighting poles for highways and main roads.
2. Lighting poles for Gardens in different regions in the Kingdom.
3. Hazardous Lighting for oil, gas and petrochemical industries.
4. Copper lanterns and chandeliers for mosque and palace.
5. Commercial Lightings for offices and schools.

Mission

Roots Lighting is committed to provide the highest quality product possible through our highly skilled and dedicated employees and state-of-the-art and manufacturing process. Proper employees are expected to serve the customer with the highest level of technical knowledge in the industry. That result in customer and employee satisfaction.

Vision

We aim to be the country's leader in providing indoor and outdoor lightings and related services and make lighting more effective, efficient, cost-effective, and enviro-friendly.

Roots Lighting has positioned itself as a market leader in the Kingdom for the design and distribution of architectural, industrial and commercial lighting solutions. It distributes a diverse range of light fittings to the industrial and wholesale markets.

The following is an overview of our products and company divisions :

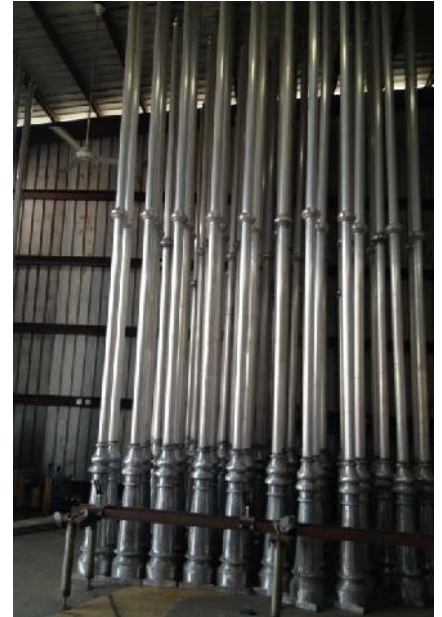


A-Department of Manufacturing Decorative poles (Aluminum - Steel)

This section is specialized in the manufacture of decorative Poles of aluminum and Steel, for the gardens, streets and public squares...

On the other hand, Roots Lighting deals with HDG Octagonal , Conical and Fiber Glass street lighting poles.

All our lighting poles are recognized by MOMRA & SASO .



Factory Production Lighting Poles & Fixtures

Decorative Aluminum, Steel Lighting Poles & Fixtures



Standard Product Line Die Casting Machine



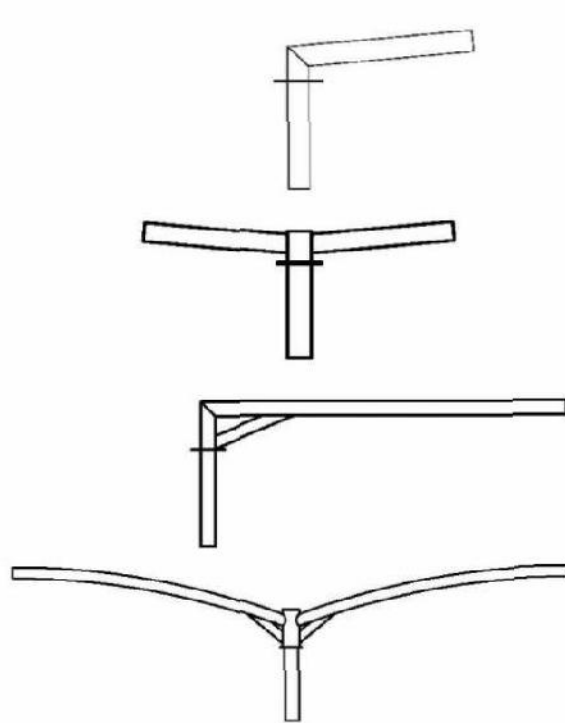
Painting Area Line



HDG Steel Octagonal & Conical Lighting Poles

Specifications & Standards

- ASTM A123 Standard Specifications for Zinc (Hot-Dip Galvanized) Coating of Iron and Steel products
- Hot Dip Galvanized Decorative Brackets



Hot Dip Galvanized Decorative Brackets



Octagonal Pole

Conical Pole

Aluminum - Steel Lighting Poles & Brackets

Poles & Brackets

- Decorative Aluminum & Steel Poles
- Decorative Aluminum & Steel Brackets
- Decorative Cast Aluminum & Cast Iron Poles
- Decorative Aluminum Bollard lights



B-Department of internal and external lighting supply of Global brands

In this section, a group of engineers and designers are specialized to carry out studies and required maps for the implementation of interior and exterior lighting projects for factories – Oil & Gas Plant - offices - hospitals - schools - universities - Malls - government departments - stadiums - tunnels etc ...



European & American manufacturers to Support our operation and meet the market demands.



GE Lighting



Outdoor lighting Fixtures

Street Lighting

- Cast aluminum body
- Glass protector
- IP66 tightness
- Suitable for up to 600W Lamps
- High Photometric performance
- Top or side mounting

Flood Lights

- Cast aluminum ring
- Glass protector
- IP66 tightness
- Suitable for up to 2000W lamps
- High photometric performances
- Top or side mounting

Tunnel and Underpass Lighting

- Body in extruded aluminum
- Tempered and heat resistant glass protector
- Wide range of symmetrical or asymmetrical reflectors
- Symmetrical or counter-beam lighting systems
- IP65 tightness
- Integrated control gear for up to 2x400W HPS lamps
- Adjustable or fixed brackets

Decorative & Architectural Street Lighting

- Different shapes to suit modern or traditional styles
- Wide range of reflectors to suit all types of roads
- IP66 tightness
- Integrated control gears
- Suitable for up to 400W lamps
- Top or side mounting
- Made to measure solutions
- Powder coated to any RAL color



Indoor Lighting Fixtures

Fluorescent Lighting

- Wide range of recessed and surface mounted fixtures
- Wide range of optics to suit different areas
- T8 & T5 Lamps
- Conventional or electronic gears

Down Lights

- Cast aluminum ring
- Wide range of optics to suit different areas
- Commercial or electronic gears
- Suitable for fluorescent and HID lamps
- Symmetrical or asymmetrical lighting distribution
- IP23 or IP44 versions
- Available with decorative drop glass

Weather Proof Fixtures

- Wide range of fixtures with 1 or 2 lamps
- 15 and 18 fluorescent lamps
- IP35 and IP66 tightness protection
- Conventional or electronic gears

Industrial Highbays

- High bays with cast or extruded aluminum body
- Suitable for HID lamps to 400W
- IP23 or IP65 tightness

Emergency Lighting

- Complete range of single-sided or double-sided
- Emergency or non-maintained battery
- Standard or decorative modes
- Suspended or wall mounted



STANDARD PRODUCT LINES

PUBLIC LIGHTING FIXTURES (SASO sum Lighting Fixtures)

Model	Range	Lighting Fixture
SLD 40	70W to 400W (HPS, MH)	
ONYX-1	70W to 400W (HPS, MH)	
AJA-1 & AJA-2	250W to 600W (HPS, MH)	
LINA	150W to 400W (HPS, MH)	
TXN	150W to 1000w (HPS, MH)	
SHOE BOX	150W to 400W (HPS, MH)	
FV2 & FV3	70W to 400W (HPS, MH) 1x36.58w, 2X36.58w FL	
IMAGE	70W to 400W (HPS, MH)	

Past Supply Record

1 - Residential Projects

- 1.1 Al Salam Palace
- 1.2 HRH Prince Sultan Bin Abdul Aziz Palace, Jeddah
- 1.3 HRH Prince Sultan Bin Abdul Aziz Palace, Makkah
- 1.4 HRH Prince Sultan Bin Abdul Aziz Palace, Riyadh
- 1.5 Prince Abdullah Al Faisal Palace, Jeddah
- 1.6 Prince Mohammad Bin Fahad Palace, Riyadh
- 1.7 Beach Place Jeddah
- 1.8 Prince Ahmed Bin Abdul Aziz Rest House
- 1.9 Al Owayniah Palace
- 1.10 Sheikh A Baghlah Residence
- 1.11 Al Khalidiah Palace, Jeddah
- 1.12 Saudi Oger Residence
- 1.13 Al-Khobar Lakes – Residential Village



2 - Holy Sites

- 2.1 Makkah Holy Mosque
- 2.2 Madinah Holy Mosque
- 2.3 Arafat, Muzdalifah Mosque
- 2.4 Ajiyad Parking
- 2.5 Mina Camping Areas
- 2.6 Mina Tents Project Phase 1,2 & 3
- 2.7 New Bus Parking in Muzadilifah
- 2.8 Hijra Road Makkah



3 - Institutional Projects

- 3.1 King AbdulaAziz University
- 3.2 Umm Ul Qura University
- 3.3 Dar Al Fikr Schbool
- 3.4 King Fahd Public Library
- 3.5 M.O.I. Prisons
- 3.6 National Commercial Bank H.Q. Bldg. Riyadh

4 - Hospitals

- 4.1 Al Salamah Hospital, Jeddah
- 4.2 Taif Hospital, Taif
- 4.4 Kingdom Medical Center, Riyadh
- 4.5 M.O.H. 150 Clinics



5 -Industrial Projects:

- 5.1 Makkah Power Plant
- 5.2 Power Plant No.9 & 10, Riyadh
- 5.3 Wadi Jalil Substation
- 5.4 Sugar Refinery - Jeddah
- 5.5 Yanbu Sanitary Plant
- 5.6 Yanbu Cement Factory
- 5.7 Zahid Tractor Workshop, Jeddah
- 5.8 Generic Gateway
- 5.9 Najran CPS
- 5.10 SSP facilities
- 5.11 Shoaiba Power Plant
- 5.12 Shoaiba Desalination Plant
- 5.13 MakkahAzizia, Kilo-14, Ruwaise, Faisaliyah & Substaions.
- 5.14 Qaseem Central Power Plant
- 5.15 QurayyahCombined Cycle
- 5.16 QurayyahPower Plant
- 5.17 Al Sharoura Power Plant Project



6 - Clubs Resorts and Hotels

- 6.1 Janadriyah Equestrian Club
- 6.2 Aramco Headquarter - Jeddah
- 6.3 Palm Beach Resorts
- 6.4 Kurtaly Hotel - Madinah
- 6.5 Fakeih Hospitality and Leisure Resort
- 6.6 Al Salehiya Housing Project
- 6.7 Al Kharj Housing Project
- 6.8 Basateen Compound



- 6.9 Al Nawaras
- 6.10 Al Fanateer - Beach Developments - Jubail
- 6.11 North Beach Developments - Jubail
- 6.12 Nofa Resort - Riyadh

7 - Tunnels Lights

- 7.1 Makkah Tunnels
- 7.2 Mina Tunnels
- 7.3 Manakha Underpass
- 7.4 Al Salem Underpass
- 7.5 Museum Underpass
- 7.6 Souk Al Sagir - Makkah
- 7.7 Khureis Viaduct - Riyadh
- 7.8 MOFA Underpass - Jeddah
- 7.9 Jabal Hindi Tunnel



8- Street Lighting

- 8.1 Improvement of Madinah Entrance
- 8.2 Makkah Expressway
- 8.3 Khoreiss Road - Riyadh
- 8.4 Madinah Road - Riyadh
- 8.5 Commercial Area Development Al-Khobar
- 8.6 Royal Commission Project No. 624/C06
- 8.7 Al Buhairat City
- 8.8 Obhor Creek
- 8.9 First Ring Road
- 8.10 AmanatJeddah Projects - Jeddah
- 8.11 Nationa Guard Projects - Al Madina & Al Taif
- 8.12 Subsection Projects - Madain, Mubayil & Al Omran



9- Foreign Projects

- 9.1 Buzwair Project! Qatar through Al Nawras Company
- 9.2 Al Huda Project! Qatar
- 9.3 Al Yaman/ Al hodayda project high way
- 9.4 Lebanon! Khalidiproject high way
- 9.5 Saudi Arabia-Bahrain Link Bridge
- 9.6 Qatar Project



Just Some of the Project our Engineers Have Successfully Completed



مجمع الراجحي - جدة



مسجد الراجحي - مكة المكرمة



حداائق عامة - مكة المكرمة



حداائق عامة - رفحاء



الجامعة الإسلامية - المدينة المنورة



ملعب رفحاء الدولي - عرعر



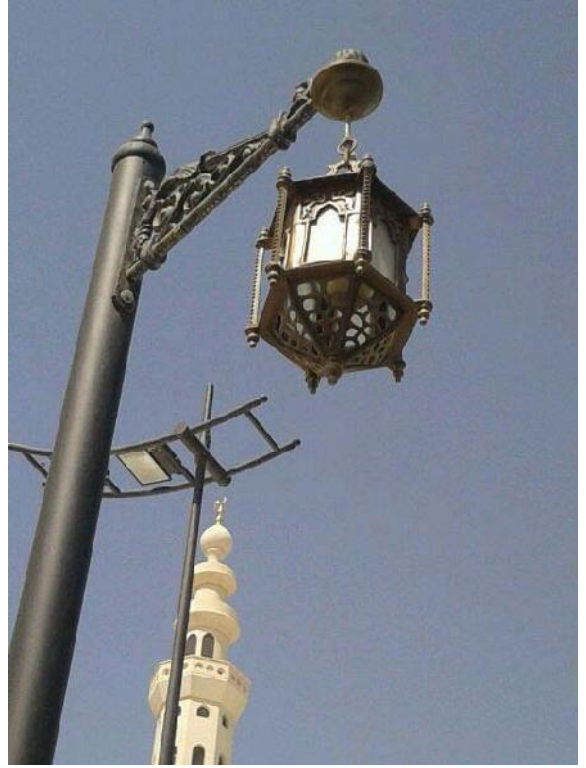
شوارع عامة - إمليج



أرصفة فرعية - مكة المكرمة



حدائق عامة - مكة المكرمة

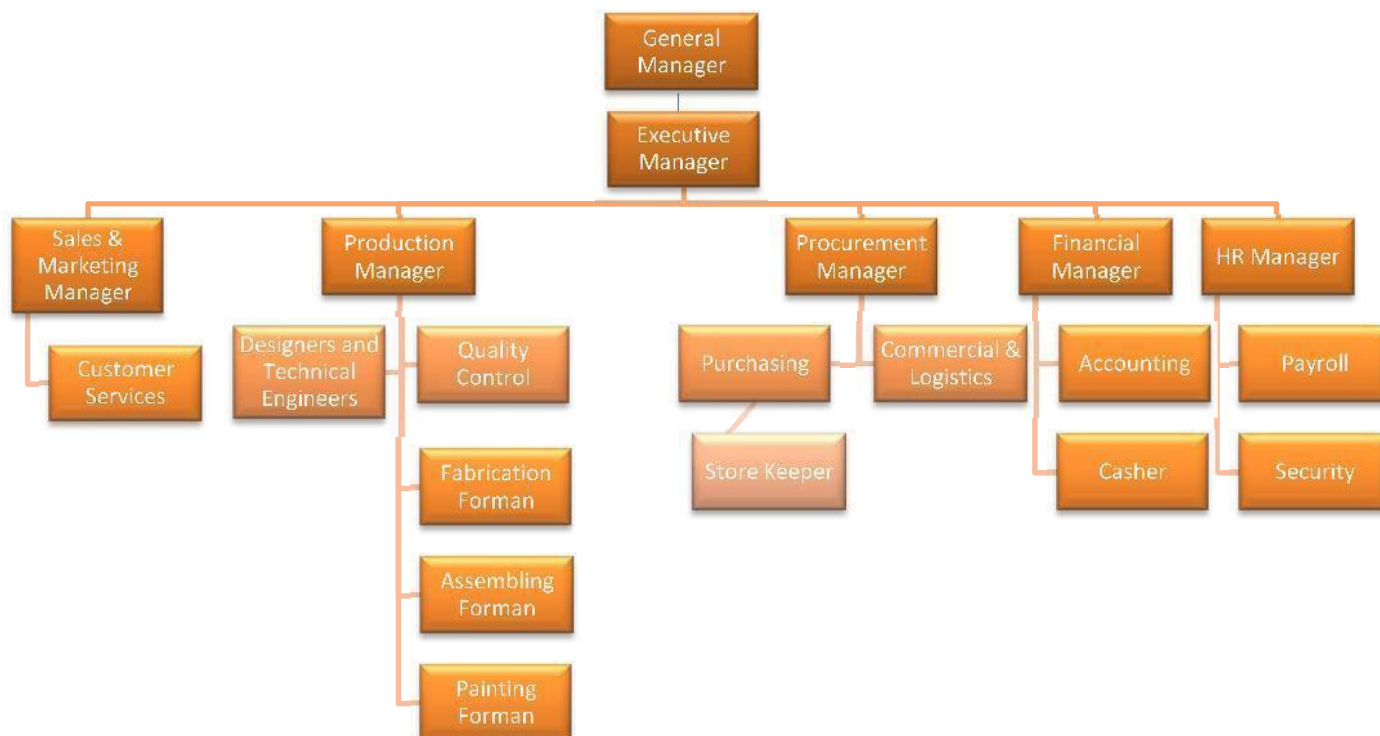


حدائق متفرقة في
جدة



Organization Chart

Our Organizational structure has been custom-made to organize, categorize and delegate our tasks to achieve our goals. This structure determines how we make our decisions and implemented them at all levels of our business.



Compliance

- *We do Comply with all SASO, BS, and IEC Codes.*
- *We Comply with materials and equipment standard.*
- *We assure you that we provide high-quality services and accessories to Complete your job in best & suitable economical way. Our aim is to build a good business relationship with you in the near Future.*
- *We are committed to the terms of the government :*
 - 1- CR 4030336166
 - 2- Certificate of Zakat NO. 213681
 - 3- Social Insurance
 - 4- Committed to achieve Saudization (Green Level)

Note: Copies Available Upon request

For any question dont hesitate to contact the below :

Sales & Marketing Manager

Mobile : 00966-500088709

Email Address : rootslighting@gmail.com

info@rootslighting.com

PO Box 4542-Jeddah 22234-KSA